



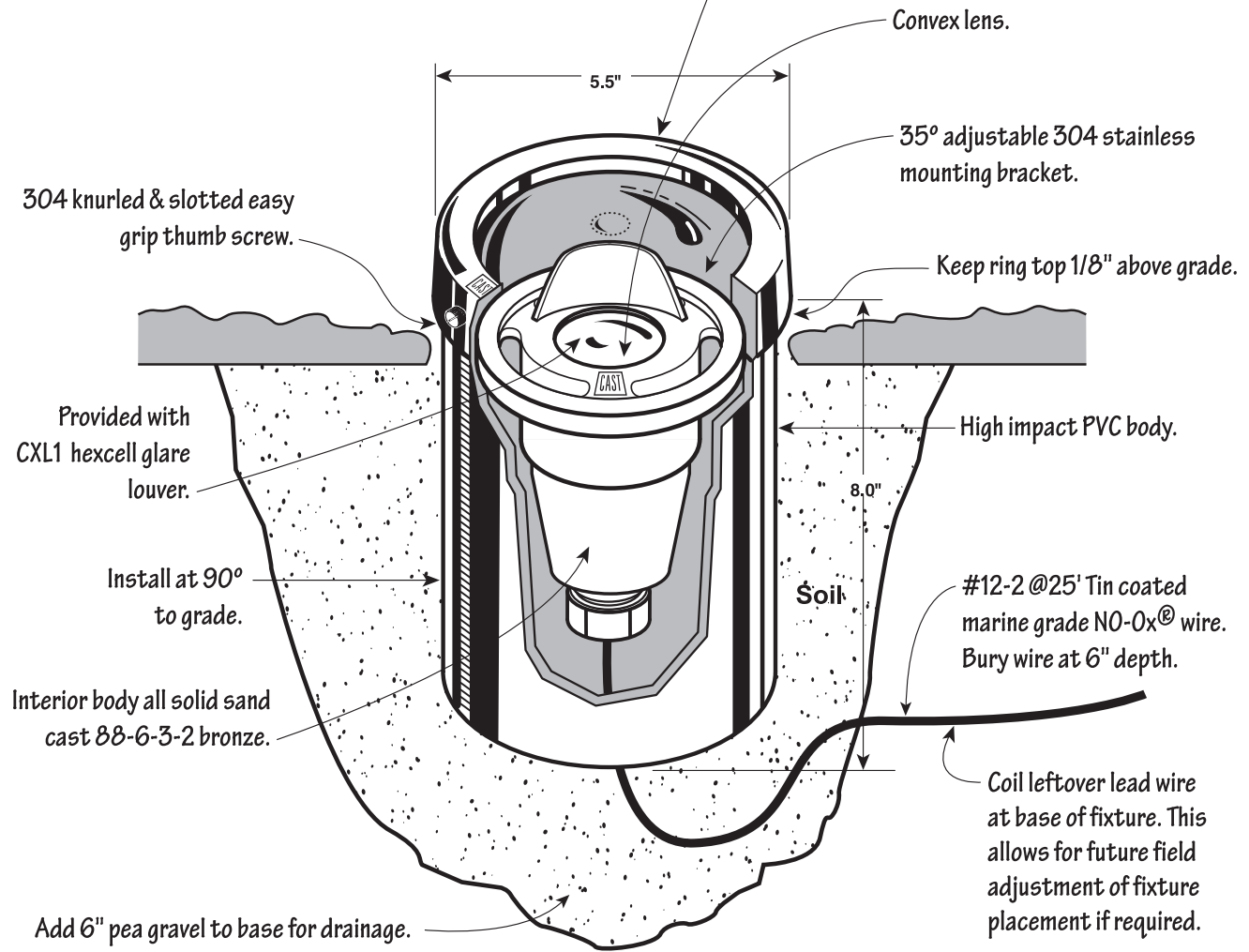
CAST MR-16 WELL LIGHT – CWLMR16

Project: _____ Date: _____
 Fixture Type: _____ Quantity: _____
 Specifier: _____

Drawing not to scale

Must operate lamp between 10.5 -12.0 volts. Optimal range is 10.8 to 11.3. Check voltage with digital multi-meter.

Extremely durable solid sand cast 88-6-3-2 bronze ring and 5.25" molded convex pyrex glass lens.



Plan Symbol:

Notes

- Requires MR-16 (not incl.)(max. rating 50W)
- Use only covered MR-16 lamps
- Do not install in low-lying areas where water can collect in fixture
- Refer to product installation sheet prior to installation

COVER OPTIONS

- ✳ Lens and Bronze Ring (CWLR1CB) (incl.)
- Bronze Grate (CWLG1CB)
- Lens for Bronze Grate (CWLGLENS)

LENS OPTIONS

- Optical Spread Lens (COSL)
- Optical Linear Spread Lens (COLL)
- Optical Frosted Lens (COFL)
- ✳ Hexcell Louver (CXL1) (incl.)