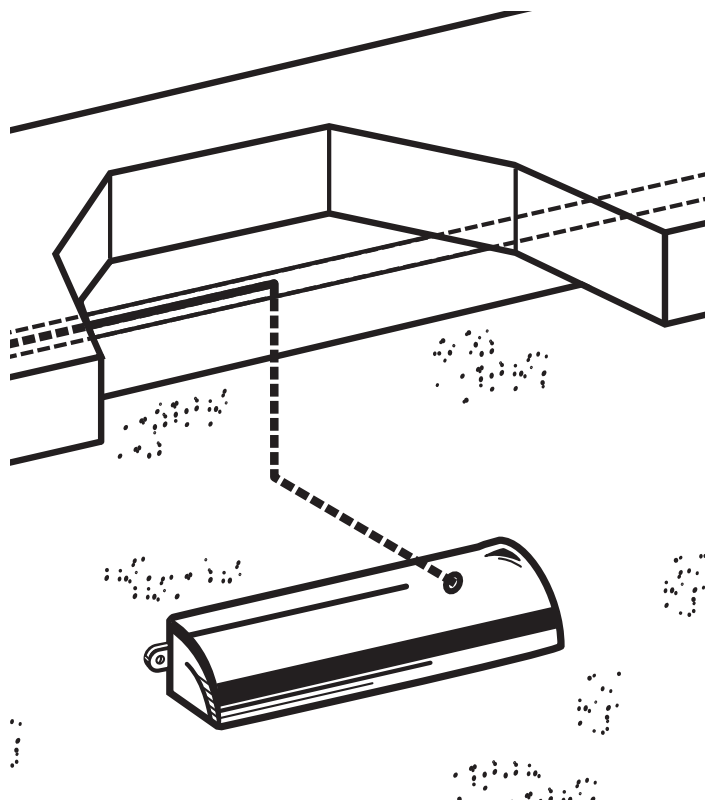
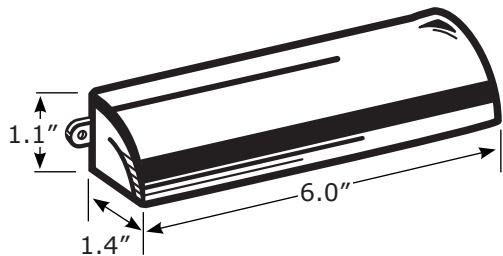




**CAST ENGINEERED SURFACE-MOUNT WALL LIGHT – CEWL6CB**

Project: \_\_\_\_\_ Date: \_\_\_\_\_  
 Fixture Type: \_\_\_\_\_ Quantity: \_\_\_\_\_  
 Specifier: \_\_\_\_\_

Drawing not to scale



- ▶ Optimal voltage is 10.8 to 11.3 volts. Check voltage with digital multi-meter.
- ▶ Extremely durable solid sand-cast bronze body and 100% copper bracket.
- ▶ Frosted Soda Lime Glass enclosed lamp compartment.
- ▶ Internal reflector for optimal light distribution.
- ▶ Flat copper mounting bracket secured with anchored screws (included).
- ▶ Light source 12V, T-3 wedge-base 10W xelogen lamp (included), 18W max.
- ▶ Lamp socket swivels outward for easy lamp replacement.
- ▶ High temperature corrosion-resistant socket.
- ▶ Pre-wired with 25 ft. #18/2 tin-coated, marine-grade No-Ox wire.
- ▶ Surface-Mount installation – Cut channel along top center of blocks, drill vertical hole from channel, drill horizontal hole to intersect vertical hole, run wire from fixture through channels to exit wall.

Plan Symbol:

**Notes**

- Requires T-3 Wedge Base (included – 10 watt)
- Max. lamp rating 18 watts
- Typical spacing 4' to 8'
- Refer to product installation sheet prior to installation