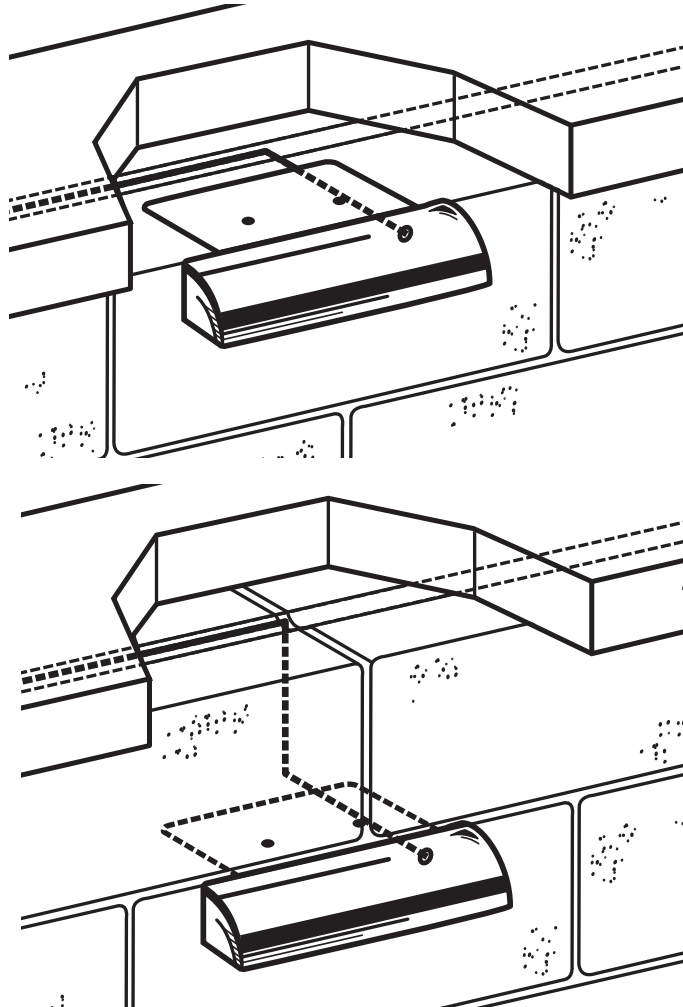
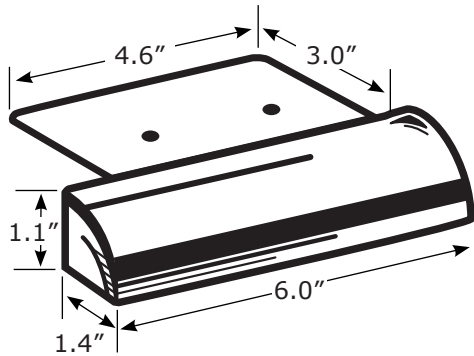




CAST ENGINEERED WALL LIGHT – CEWL5CB

Project: _____ Date: _____
 Fixture Type: _____ Quantity: _____
 Specifier: _____

Drawings not to scale



- ▶ Optimal voltage is 10.8 to 11.3 volts. Check voltage with digital multi-meter.
- ▶ Extremely durable solid sand-cast bronze body and 100% copper bracket.
- ▶ Frosted Soda Lime Glass enclosed lamp compartment.
- ▶ Internal reflector for optimal light distribution.
- ▶ Copper bracket can be bent, cut, or secured with screws for installation flexibility.
- ▶ Light source 12V, T-3 wedge-base 10W xelogen lamp (included), 18W max.
- ▶ Lamp socket swivels outward for easy lamp replacement.
- ▶ High temperature corrosion-resistant socket.
- ▶ Pre-wired with 25 ft. #18/2 tin-coated, marine-grade No-Ox wire.
- ▶ Bracket extends off back of body so that it is concealed even when mounted between blocks.
- ▶ Under-capstone installation – cut channel along top center of blocks, drill hole behind fixture body to intersect center channel, run wire from fixture through channels to exit wall.
- ▶ Between-blocks installation – Cut channel along top center of blocks, drill vertical hole from channel, drill horizontal hole to intersect vertical hole, run wire from fixture through channels to exit wall.

Plan Symbol: ██████████

Notes

- Requires T-3 Wedge Base (included – 10 watt)
- Max. lamp rating 18 watts
- Typical spacing 4' to 8'
- Refer to product installation sheet prior to installation

MOUNTING OPTIONS

- Flush-Mount Bracket (XCMBEWL1)