



CAST NICHE LIGHT – CNL1CB

Project: _____ Date: _____
Fixture Type: _____ Quantity: _____
Specifier: _____

Drawing not to scale

Must operate lamp between 10.5 -12.0 volts. Optimal range is 10.8 to 11.3. Check voltage with digital multi-meter.

Screw holes. Use stainless mounting hardware suitable for the application.

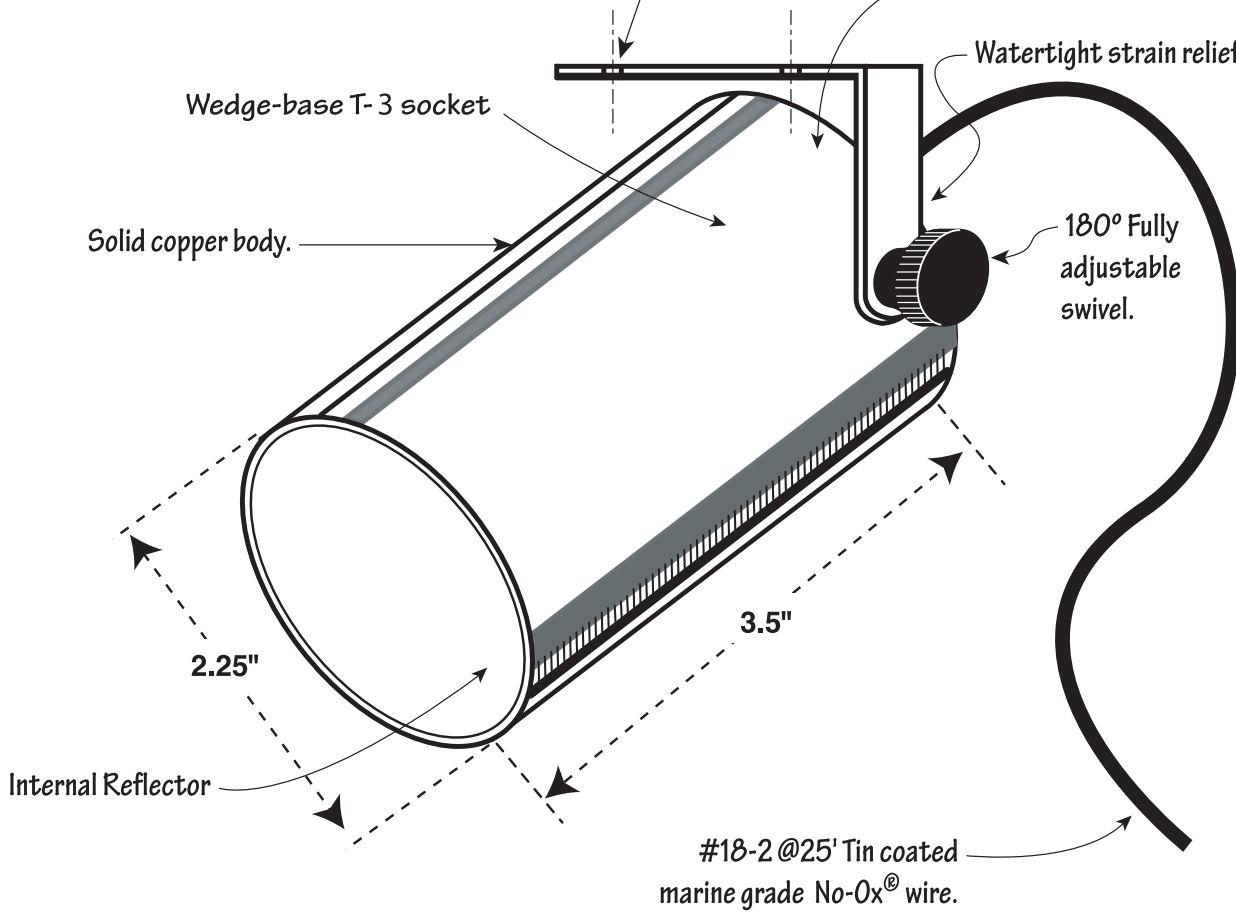
All 88-6-3-2 solid bronze base.

Watertight strain relief.

Wedge-base T-3 socket

Solid copper body.

180° Fully adjustable swivel.



#18-2 @25' Tin coated marine grade No-Ox® wire.

Plan Symbol:

Notes

- Requires wedge-base T-3 lamp (included-10W; max. rating-35W)
- Downward orientation only
- Refer to product installation sheet prior to installation