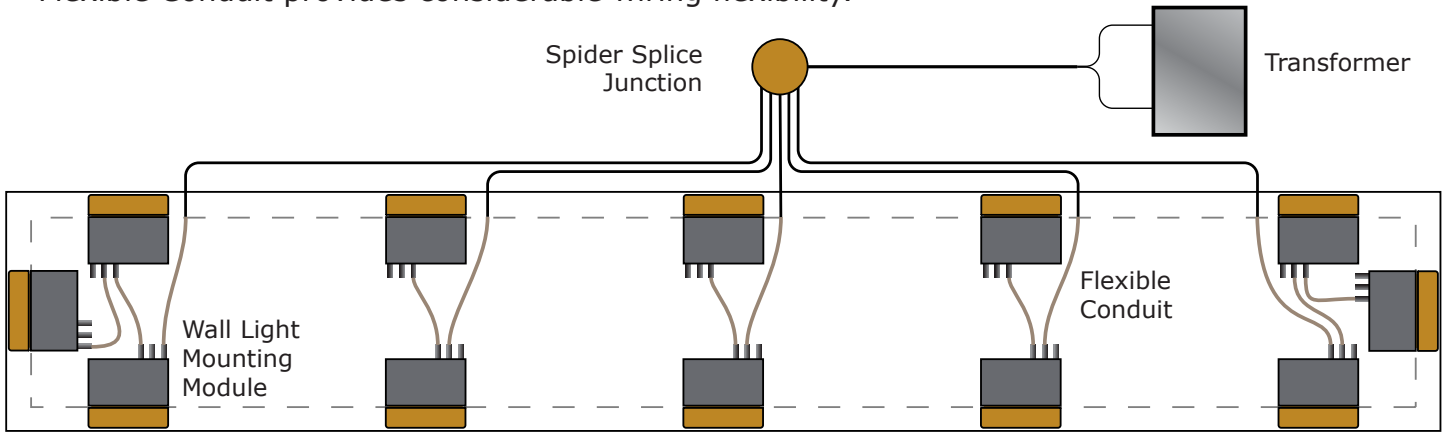


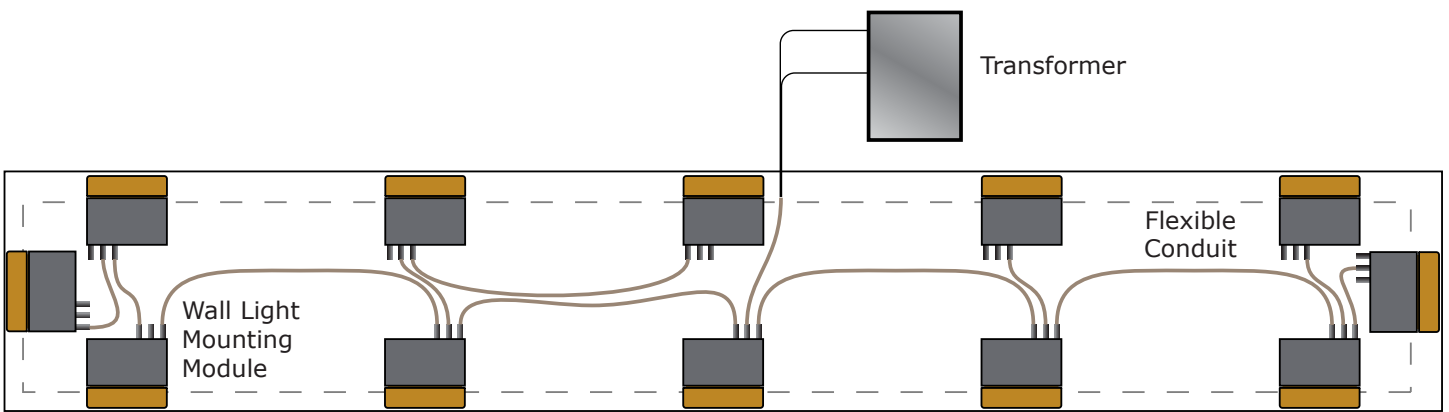


CAST Set-in-Stone™ Wall Light Installation System Modified Wiring Methods

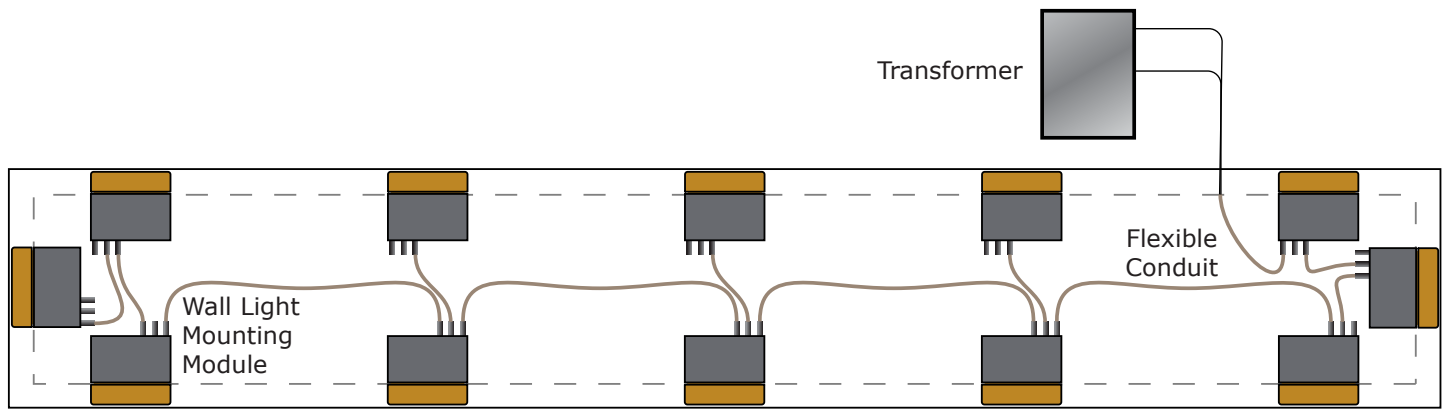
The following wiring diagrams illustrate how standard wiring methods may be modified to suit any wall light fixture installation plan. The CAST Set-in-Stone™ Wall Light Mounting Module used in conjunction with Set-in-Stone™ Flexible Conduit provides considerable wiring flexibility.



Spider Splice or Home Run Method - Modified



"T" Method - Modified



Daisy Chain Method - Modified