



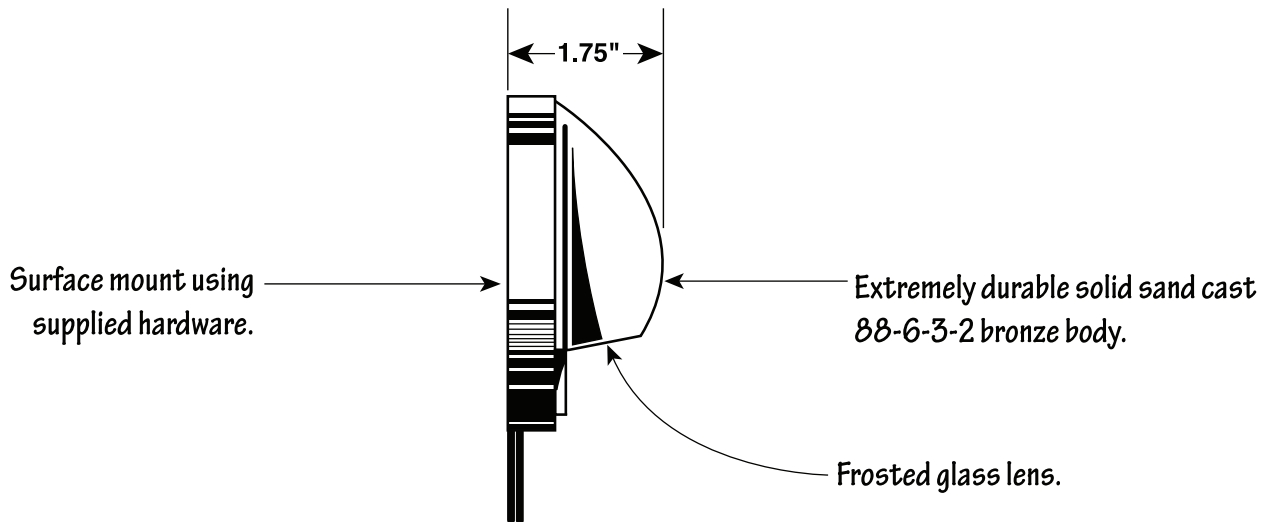
CAST DECK LIGHT – CDL1CB, CDL1LED1

Project: _____ Date: _____
 Fixture Type: _____ Quantity: _____
 Specifier: _____

Drawing not to scale

CDL1CB: Must operate lamp between 10.8 -12.0 volts. Optimal range is 10.8 to 11.3V. Check voltage with digital multi-meter.

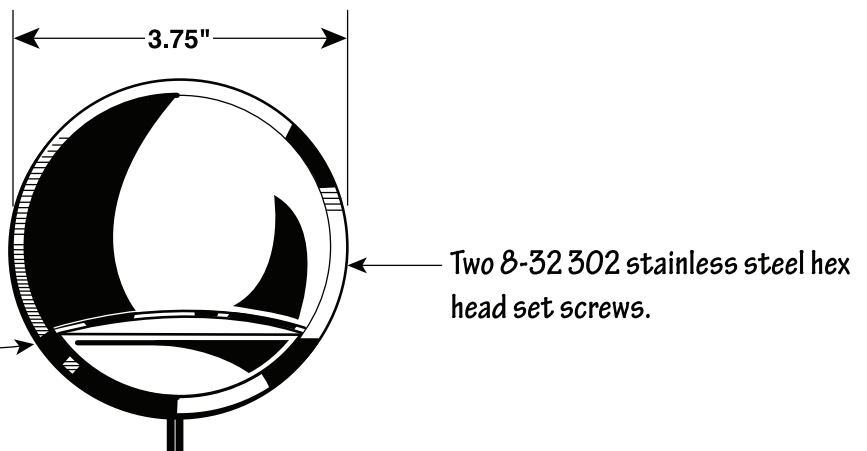
CDL1LED1: Operates between 8V to 18V AC or DC.



CDL1CB:
Includes 18 W T-5 wedge-base lamp

CDL1LED1:
Input power: 3.0W
Power Factor: 0.8W
(Size wire and power supply for 3.75W)

#18-2 @25' Tin coated



Plan Symbol:

Notes

- CDL1CB requires wedge-base T-5 Lamp (included-18W; max. rating-18W)
- Typical spacing 6' to 10'
- Downward and horizontal orientation allowed
- Refer to product installation sheet prior to installation