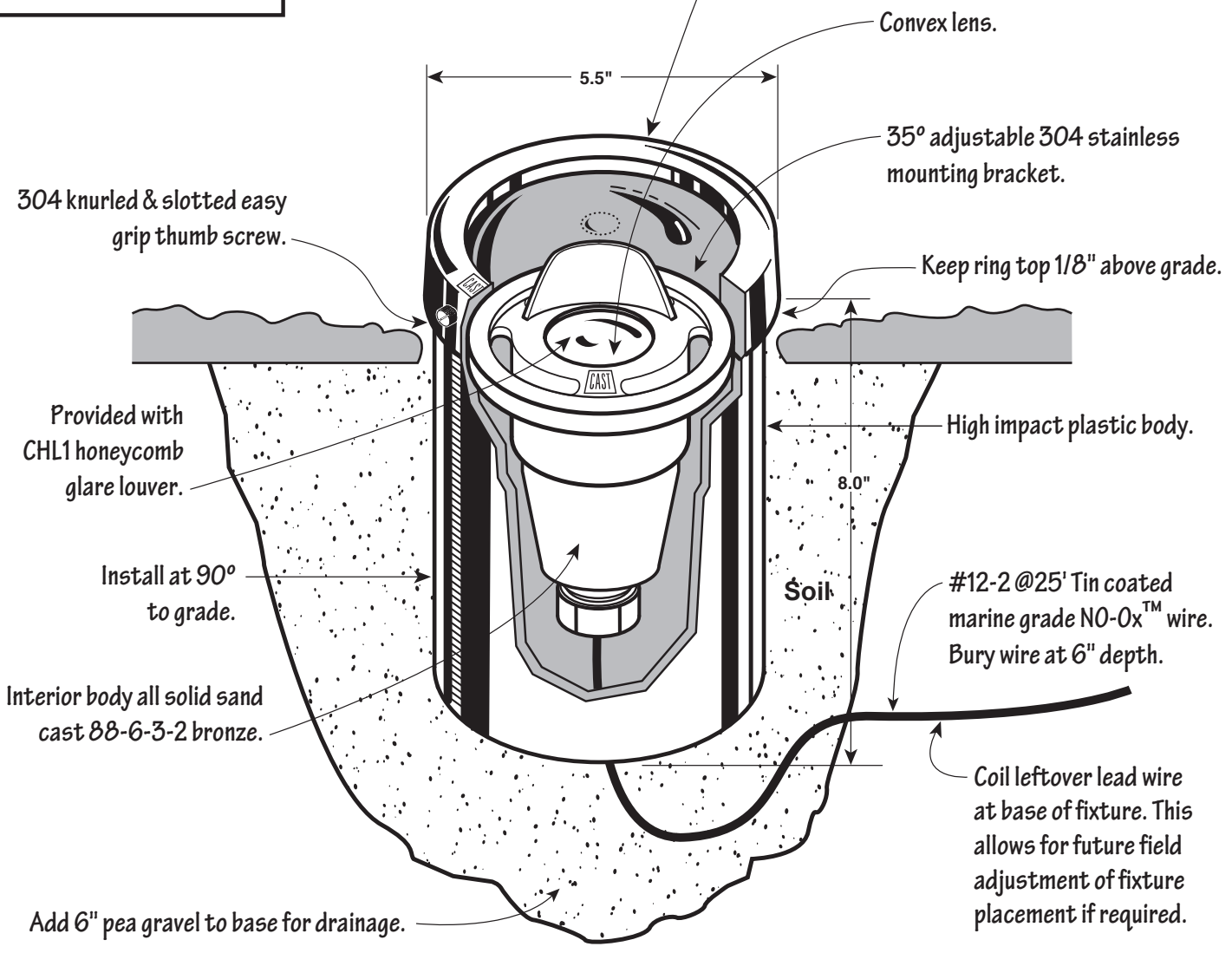




Must operate lamp between 10.8 -12.0 volts. Optimal range is 11.5. Check voltage with digital multi-meter.

Extremely durable solid sand cast 88-6-3-2 bronze ring and 5.25" molded convex pyrex glass lens.



Drawing not to scale

**MR16 Well Light Typical Installation Detail**

**MODEL #**  
**CWLMR16**  
 Rev. 5-22-03  
 Plan Symbol:

- NOTES:
- Max Lamp Rating 50 watt.
  - Use Only Covered MR-16 Lamps
  - Do not install in low lying areas where water can collect in fixture.
  - Always refer to product instruction sheet prior to installation.