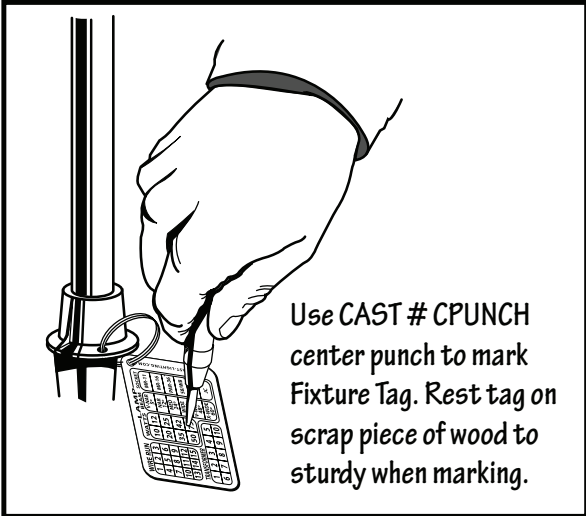
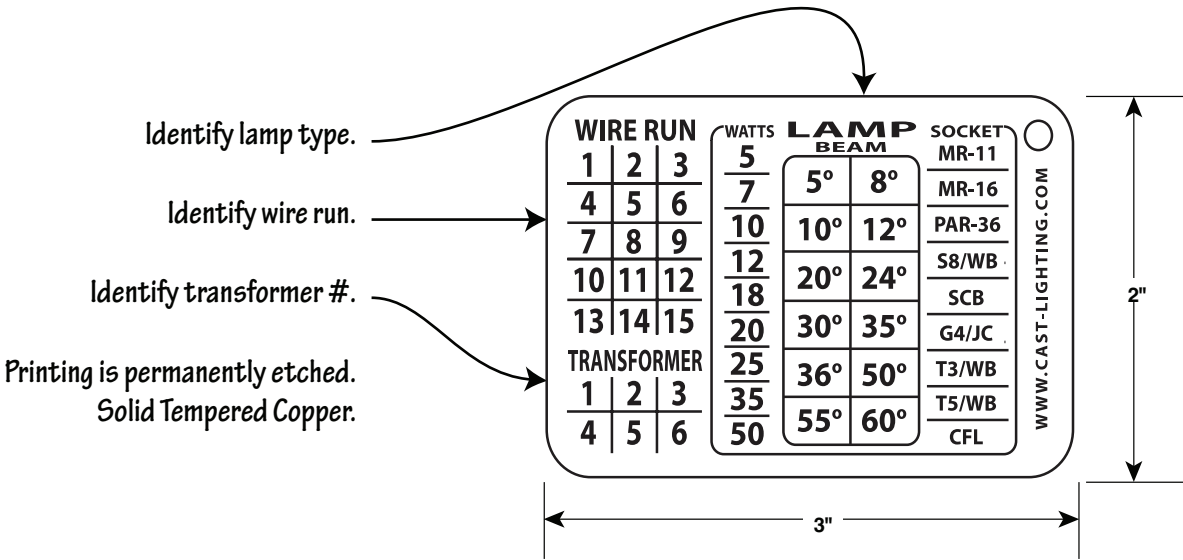




Proper use of the Fixture Record Tag ensures long-term integrity of the lighting design by providing data critical for future maintenance of the system.



Use CAST # CPUNCH center punch to mark Fixture Tag. Rest tag on scrap piece of wood to sturdy when marking.



Drawing not to scale

Fixture Record Tag Typical Installation Detail

MODEL #
CABFR

Rev. 1-28-09

NOTES: • Transformer As-Built Information Card must be completed in conjunction with the Fixture Record Tag. This ensures that the entire system has been installed properly.